



Shenzhen tesoo optical Co., Ltd

Product introduction

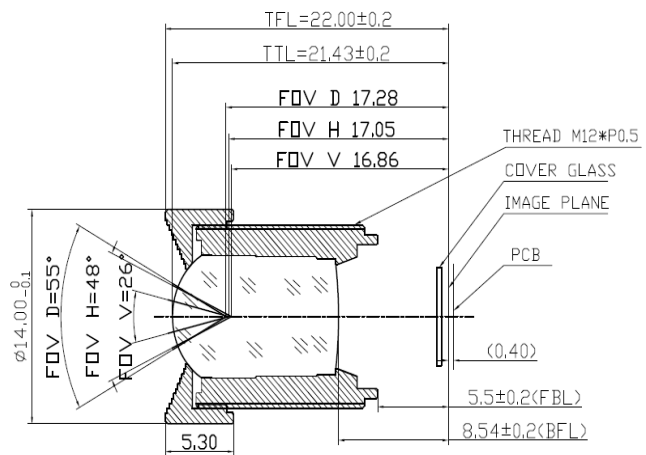
1. **Product number:** TS-2721F-A00

2. **Application:** ADAS camera, Outdoor CCTV camera, Recognition camera.

3. **Features:** Based on excellent optical design, this product uses high quality optical glass and high precision mechanical components, enabling the product to achieve very small chromatic aberration, high relative illumination, high Resolution and reliability in extreme operating conditions.

4. Specification:

PART No.	TS-2721F-A00	
TTL	21.43mm	
EFL	6.50mm	
F/NO	2.0	
MBFL	6.55mm	
SENSOR SIZE	1/2.7"	1/2.5"
	FOV	FOV
(D)	59°	64°
(H)	48°	51°
(V)	34°	40°
TV-DISTORTION	< -8%	< -12%
MAX IMAGE CIRCLE	φ8.80mm	
Mount	M12*0.5	
CONSTRUCTION	All Glass + Metal	
DIAMENSIONS	φ14*15.45	
Operating temp.	-40 ~ +85°C	
Storage temp.	-40 ~ +90°C	



5. Picture:



6. Contacts

Email: Sales@tesoooptical.com

Website: www.tesoooptical.com

Tel: 0086075528006150

Address: Tianhui Building, Donghuanyi Road, Longhua District, Shenzhen, China